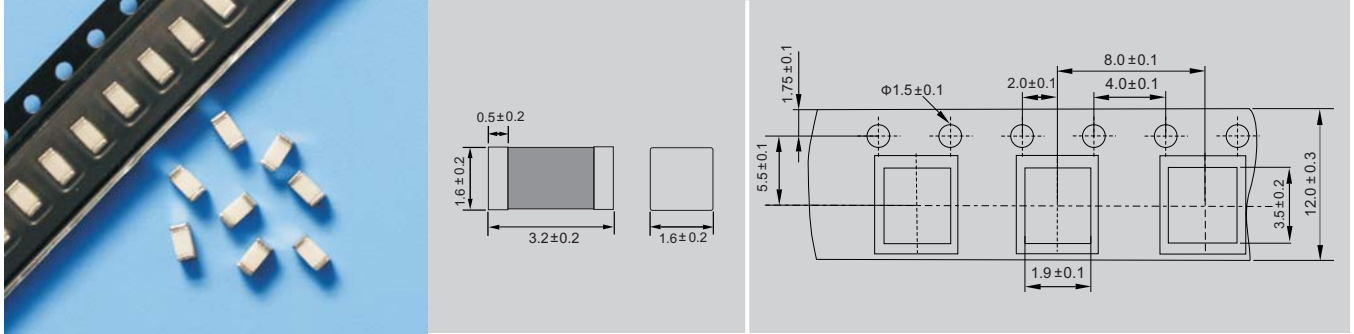




Leiditech

陶瓷气体放电管 Ceramic Gas Discharge Tube



目录编号 Catalog No.	直流击穿电压 DC Spark Over Voltage (100v/s)V	冲击击穿电压 Impulse Spark Over Voltage (1kv/μs)V	绝缘电阻 Insulation Resistance MΩ	极间电容 Electrode Capacitance 1MHz 0.5V PF	耐冲击电流 Impulse Discharge Current (8/20μs 10 times)	耐交流电流 AC Discharge Current (50Hz 1s 10 times) A	过保持电压 Holdover Voltage (V)
SMB075	75±30%	≤500	≥100	≤1	0.5KA	1A	52
SMB090	90±30%	≤500	≥100	≤1	0.5KA	1A	52
SMB140	140±30%	≤600	≥100	≤1	0.5KA	1A	52
SMB150	150±30%	≤600	≥100	≤1	0.5KA	1A	52
SMB200	200±20%	≤600	≥100	≤1	0.5KA	1A	52
SMB230	230±20%	≤600	≥100	≤1	0.5KA	1A	52
SMB300	300±20%	≤800	≥100	≤1	0.5KA	1A	135
SMB350	350±20%	≤800	≥100	≤1	0.5KA	1A	135
SMB400	400±20%	≤900	≥100	≤1	0.5KA	1A	135
SMB470	470±20%	≤900	≥100	≤1	0.5KA	1A	135
SMB500	500±20%	≤900	≥100	≤1	0.5KA	1A	135
SMB600	600±20%	≤900	≥100	≤1	0.5KA	1A	135

- 参考执行标准: ITU-T K.12, GB/T9043-2008 《通信设备过电压保护用气体放电管通用技术条件》。
Reference executive standard: ITU-T K.12, GB/T9043-2008 《General Technical Requirements of Gas Discharge Tubes for the Over-voltage protection of telecommunications installations》.
- 耐交流 (50 Hz) 电流最大1A, 试验时交流电压应大于直流击穿电压上限值。
The maximum AC withstand current (50 Hz) is 1A and AC voltage shall be larger than the upper limit value of DC spark-over voltage during the test.
- 极间电容测试频率为1M Hz, 测试电压为0.5V。
The electrode capacitance test frequency is 1MHz and test voltage is 0.5V.

工作与储存温度 Operating and Storage temperature
-40°C ~ 85°C

包装 Packaging
产品采用编带卷盘包装, 2500PCS/盘, 每包装箱包装25000PCS。
Automaton taped 2500PCS per reel, 25000PCS per carton.