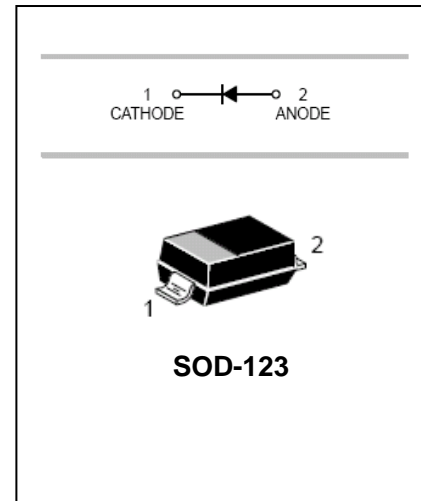


## FEATURES

- Low forward voltage drop.
- Guard ring construction for transient Protection.
- High conductance.



Lead-free



## APPLICATIONS

- 0.5A surface mount schottky barrier rectifier.

## ORDERING INFORMATION

Type No.	Marking	Package Code
B0520LW	B2	SOD-123
B0530W	B3	SOD-123
B0540W	B4	SOD-123

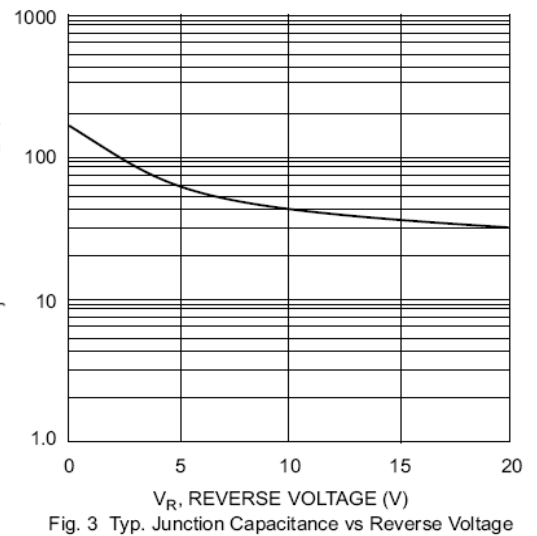
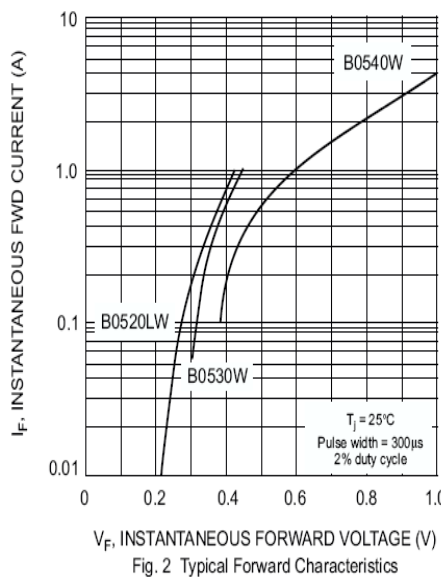
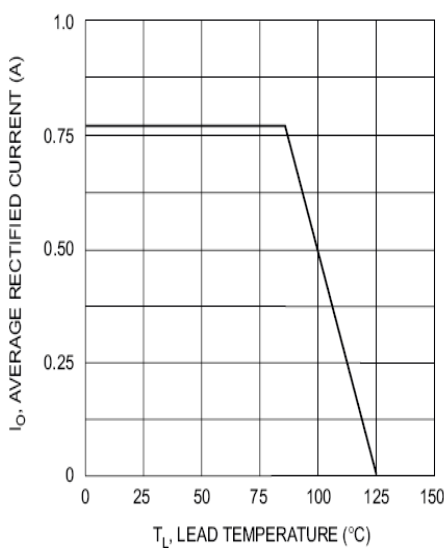
## MAXIMUM RATING @ Ta=25°C unless otherwise specified

Characteristic	Symbol	B0520LW	B0530W	B0540W	Unit
Peak Repetitive Reverse Voltage	$V_{RRM}$				
Working Peak Reverse Voltage	$V_{RWM}$	20	30	40	V
DC Reverse Voltage	$V_R$				
RMS Reverse Voltage	$V_{R(RMS)}$	14	21	28	V
Average Rectified Output Current @ $T_L = 100^\circ\text{C}$	$I_O$	0.5			A
Non-Repetitive Peak Forward Surge Current 8.3ms single half sine-wave superimposed on rated load	$I_{FSM}$	5.5			A
Power Dissipation	$P_d$	410			mW
Typical Thermal Resistance Junction to Ambient	$R_{\theta JA}$	244			$^\circ\text{C}/\text{W}$
Operating and Storage Temperature Range	$T_j, T_{stg}$	-65 to +125			$^\circ\text{C}$
Voltage Rate of Change	$dv/dt$	1000			$\text{V}/\mu\text{s}$

## ELECTRICAL CHARACTERISTICS @ Ta=25°C unless otherwise specified

Characteristic	Symbol	B0520LW	B0530W	B0540W	Unit	Test Conditions
Minimum Reverse Breakdown Voltage	$V_{(BR)R}$	20 - -	- 30 -	- - 40	V	$I_R = 250\mu A$ $I_R = 130\mu A$ $I_R = 20\mu A$
Maximum Forward Voltage Drop	$V_{FM}$	0.300 0.385 - 0.220 0.330 -	0.375 0.430 - - -	- 0.510 0.620 - 0.460 0.610	V	$I_F = 0.1A, T_j = 25^\circ C$ $I_F = 0.5A, T_j = 25^\circ C$ $I_F = 1.0A, T_j = 25^\circ C$ $I_F = 0.1A, T_j = 100^\circ C$ $I_F = 0.5A, T_j = 100^\circ C$ $I_F = 1.0A, T_j = 100^\circ C$
Maximum Leakage Current	$I_{RM}$	75 - 250 - -	- 20 - 130 -	- - 10 - 20	$\mu A$	$V_R = 10V, T_j = 25^\circ C$ $V_R = 15V, T_j = 25^\circ C$ $V_R = 20V, T_j = 25^\circ C$ $V_R = 30V, T_j = 25^\circ C$ $V_R = 40V, T_j = 25^\circ C$
		5.0 8.0 -	- - -	- 5.0 1.3	mA	$V_R = 10V, T_j = 100^\circ C$ $V_R = 20V, T_j = 100^\circ C$ $V_R = 40V, T_j = 100^\circ C$
Junction Capacitance	$C_j$	170			pF	$f = 1MHz, V_R = 0V DC$

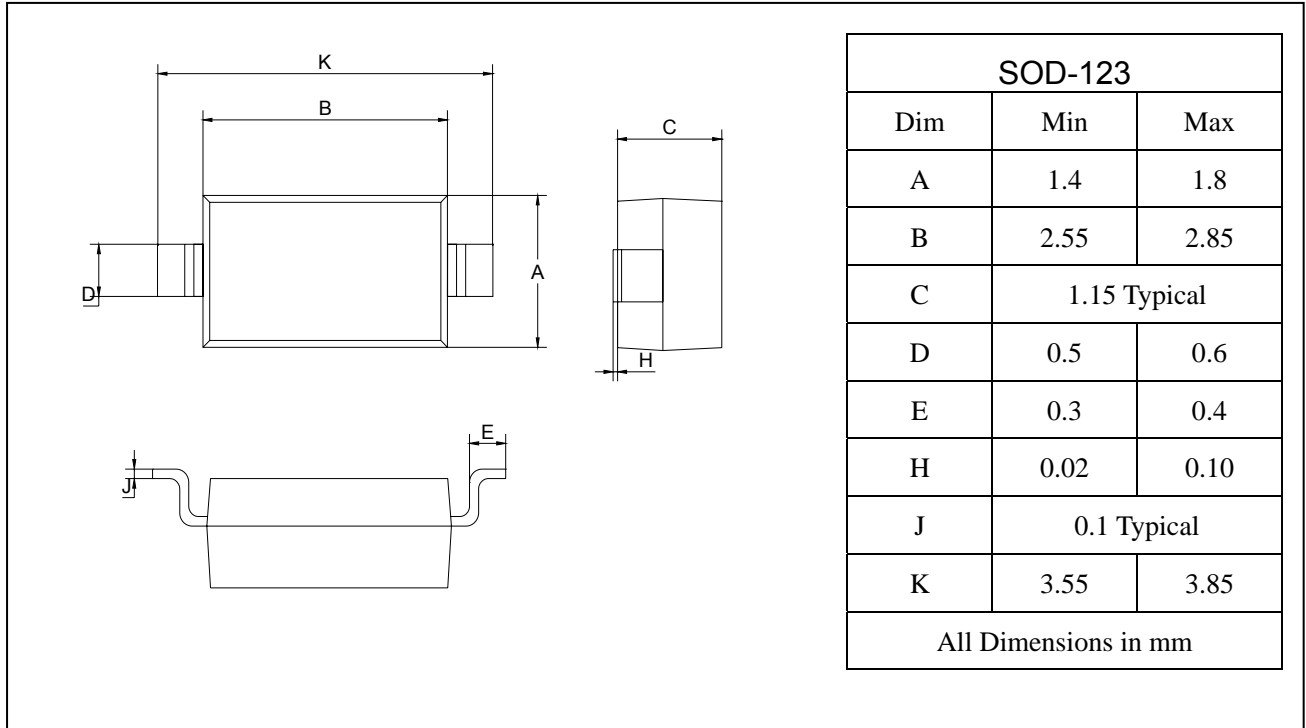
## TYPICAL CHARACTERISTICS @ Ta=25°C unless otherwise specified



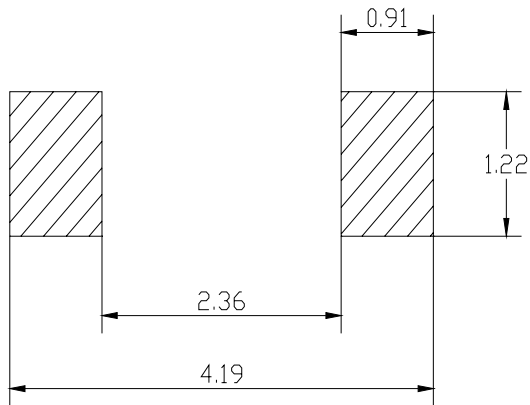
## PACKAGE OUTLINE

Plastic surface mounted package

SOD-123



## SOLDERING FOOTPRINT



Unit :mm

## PACKAGE INFORMATION

Device	Package	Shipping
B0520LW/B0530W/B0540W	SOD-123	3000/Tape&Reel