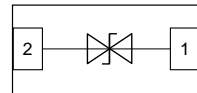


Features

- ET # -. //
- ET 10) +2 !0
- ET !0) +2 !0
- ET +
- ET 2 +
- ET 3
- ET 4 +
- ET 5 /
- ET 6 +
- ET * ,)



Mechanical Data

- ET Case: (plastic package).
Lead free; RoHS compliant
- ET Molding Compound Flammability Rating:
UL 94 V-0
- ET Terminals: High temperature soldering guaranteed:
260 °C/10 sec. at terminals

Applications

- ET USB3.0, Firewire, DVI, HDMI, S-ATA
- ET Thunderbolt, Display Port
- ET Mobile HDMI Link, MDDI, MIPI, SWP / NFC

Absolute Maximum Ratings

Ratings at 25 °C, ambient temperature unless otherwise specified

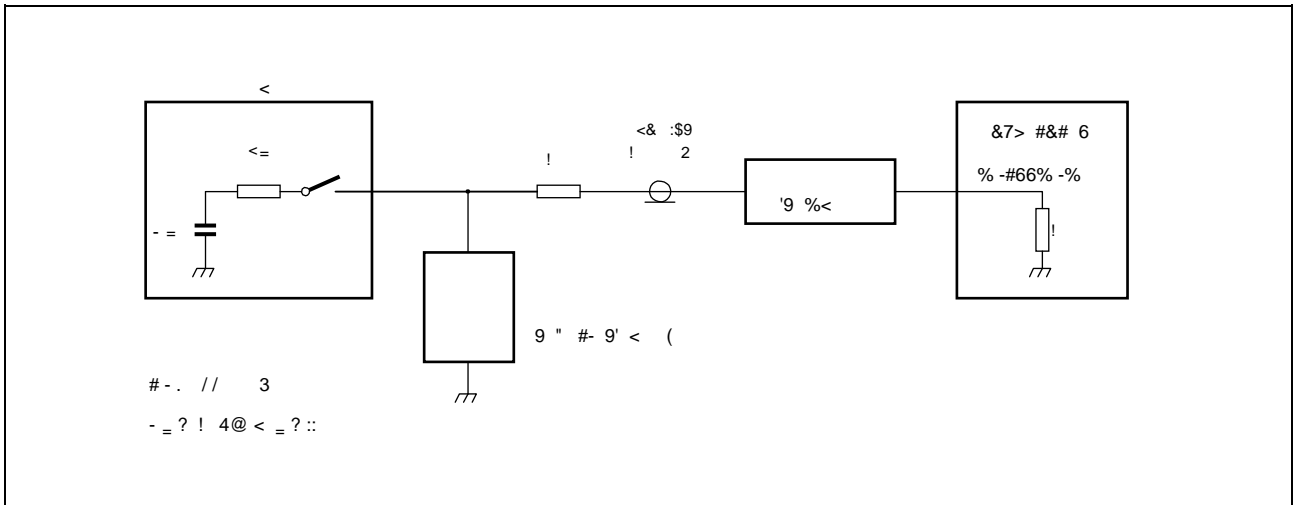
	%		
8 2 ++ - # -. //	///	!0	
8 2 ++ # -. //	///	!0	
8 2 ++ % +	% <	/ A;	
8 2 ++ +	&	!! A !	
8 2 ++ +	6	.	

Electrical Characteristics

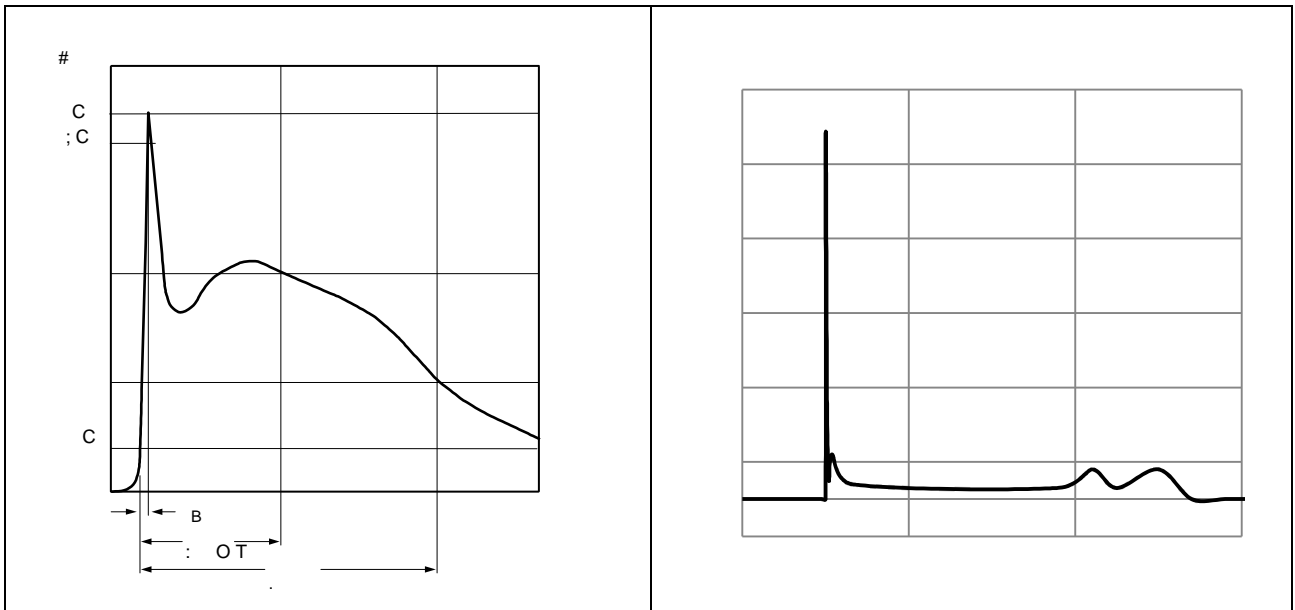
(T_A = 25 °C unless otherwise specified)

	%	!))*	,
<	<	///			
		# -. // 10			
- +	-	# -. // 10			
6 3	#	- * +			
-	-	<?) ? 87>			4

\$ 7ULJJHU DQG FODPSLQJ YROWDJH DUH PHDVXUHG SHU ,(& .9 FRQWDFW GLVFKDUJH PH
\$IWUHQWLDLQJLJMKHPSVRUWHIFSFORRQWLQXRXVULMFKD[LXPXOHFNLUHQHVKDQ\$



5 "



!

	' IP	P L O O P H W H U V	
		P L O	P D [
	\$		
	%		
	&		
	'		
	(5 ()	
)		
	*	% 6 &	
	+		

Ordering information

Order code	Package	Packaging option	Base quantity	Packaging specification
PESD1542U005		Tape and reel	1 000pcs / reel	EIA STD RS-481

! & J 6 ! " 6 K
 1 8 G'0% '0*00'%
 G'0% ')>>' ;